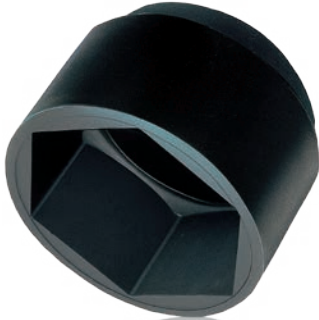
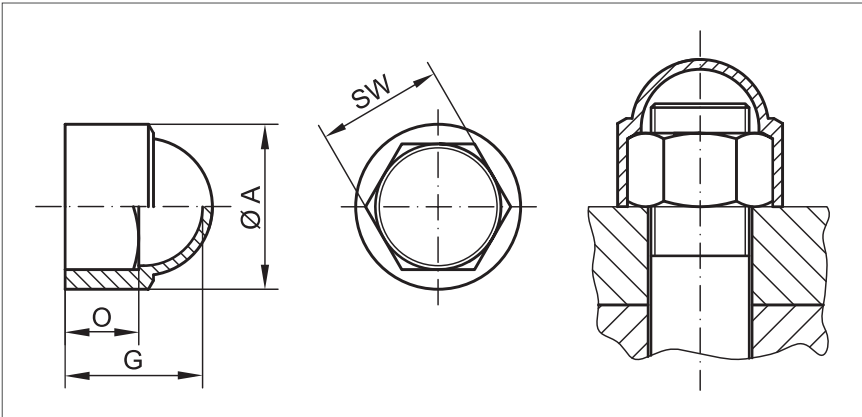


# Hexagonal Caps GPN 1000



Dimensions			Suitable for hexagon nuts				Order no.	
A	G	O	Spanner width (width across flat)	Metric threads		Pipe thread		
9.0	7.5	3.5	7	M 4			1000 / 1916	
10.9	8.0	5.0	8	M 5			1000 / 1068	
12.9	12.0	6.0	10	M 6			1000 / 1069	
16.8	14.0	7.5	13	M 8	M 8 x 1		1000 / 0893	
18.0	14.0	7.5	14				1000 / 1071	
21.3	18.0	9.0	16	M 10			1000 / 8267	
21.3	18.5	9.0	17	M 10	M 10 x 1		1000 / 1072	
23.0	19.4	11.0	18	M 12			1000 / 0857	
23.6	20.0	11.0	19	M 12	M 12 x 1.5		1000 / 1073	
26.0	22.5	12.0	21	M 14	M 14 x 1.5		1000 / 0190	
27.5	22.5	12.0	22	M 14	M 14 x 1.5	1/4	1000 / 1074	
29.8	25.5	14.0	24	M 16	M 16 x 1.5		1000 / 1075	
34.0	29.0	16.0	27	M 18	M 18 x 1.5	M 18 x 2	3/8	1000 / 1076
37.4	31.0	17.0	30	M 20	M 20 x 1.5	M 20 x 2		1000 / 1077
39.7	34.0	19.0	32	M 22	M 22 x 1.5	M 22 x 2	1/2	1000 / 1078
44.4	38.0	20.0	36	M 24	M 24 x 1.5	M 24 x 2	5/8	1000 / 1079
50.1	44.0	23.0	41	M 27	M 26 x 1.5			1000 / 1080
					M 27 x 1.5	M 27 x 2	3/4	1000 / 1080
					M 28 x 1.5			1000 / 1080
55.9	49.0	25.0	46	M 30	M 30 x 1.5	M 30 x 2	7/8	1000 / 1081
60.5	53.0	27.0	50		M 32 x 1.5			1000 / 1414
					M 33 x 1.5	M 33 x 2		1000 / 1414
67.0	55.5	30.0	55		M 35 x 1.5			1000 / 1811
				M 36	M 36 x 1.5	M 36 x 3		1000 / 1811
72.0	60.0	38.0	60	M 39	M 38 x 1.5			1000 / 3762
					M 39 x 1.5	M 39 x 3		1000 / 3762
					M 40 x 1.5			1000 / 3762
76.6	63.0	42.0	65	M 42	M 42 x 1.5	M 42 x 3		1000 / 3763
85.5	73.0	38.0	70	M 45				1000 / 6706
91.6	78.5	41.0	75				1 1/2	1000 / 8638
98.0	83.4	43.5	80				1 3/4	1000 / 8639
116.7	102.0	55.0	95				2 1/4	1000 / 8641



Size in mm

Colour and material alternatives, additional sizes, bespoke designs and technical cleanliness on request.

**Material:** PE-LD

**Colour:** Black